

FOLDERS

International Box Code: 04

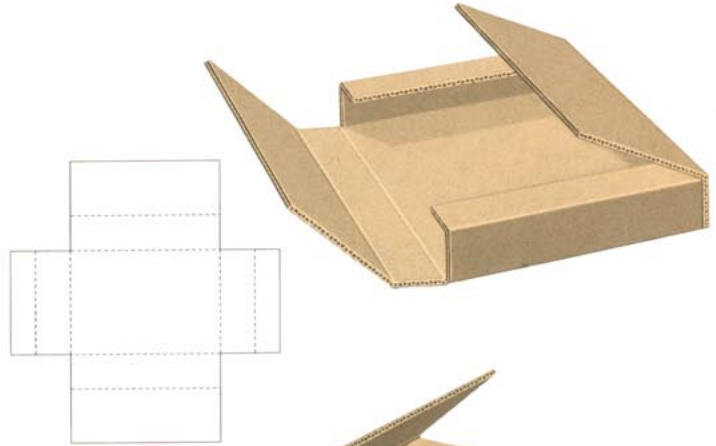
One or more pieces of board provide an unbroken bottom surface, and are scored to fold around a product. The International Box Code describes them as Folder-Type Boxes. The carrier *Classifications* use the term Folders or Five-Panel Folders [See: Item 222-5 (e) and (f), p. 83; Rule 41, Sec. 4 (e) and (f), p. 98].

One-Piece Folder — 1PF

International Box Code: 0401

One piece of board is cut so that it provides a flat bottom, with flaps forming the sides and ends, and extensions of the side flaps meeting to form the top.

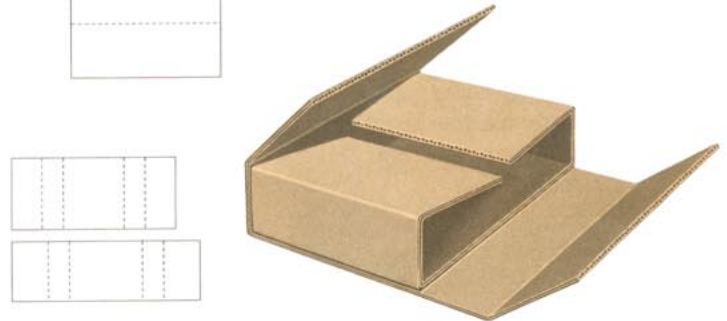
One-, two- and three-piece folders (shown below) are used for books and other items shipped as single units.



Two-Piece Folder — 2PF

International Box Code: 0404

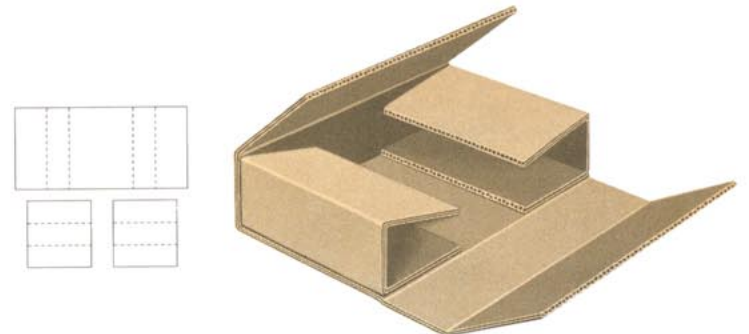
Two rectangular scored pieces provide a double unbroken layer for the bottom, and a double layer for the top. Flaps of one piece form the sides, and flaps of the second piece form the ends.



Three-Piece Folder — 3PF

International Box Code: 0405

One rectangular scored piece provides the unbroken bottom. Flaps form two sides and meet to cover the top. Two other scored rectangles form the ends; folded flaps tuck into body.

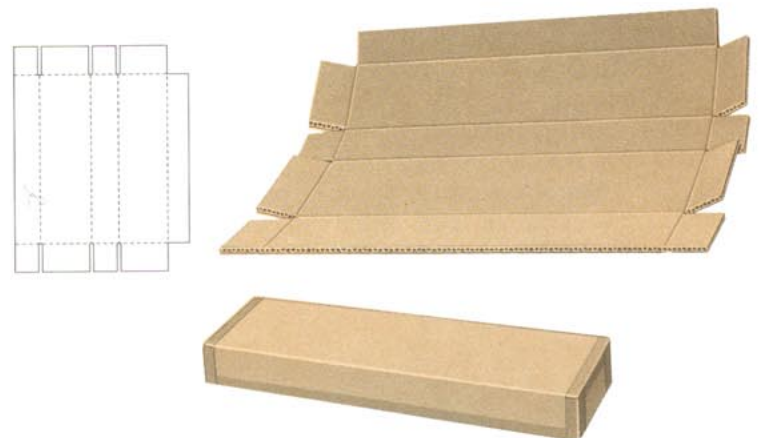


Five-Panel Folder — FPF

International Box Code: 0410

A single cut and scored piece features a fifth panel used as the closing flap, completely covering a side panel.

The closed box has several thicknesses in each end, providing stacking strength and protection for long articles of small diameter which might be damaged, or damage the box, if pushed through the ends.

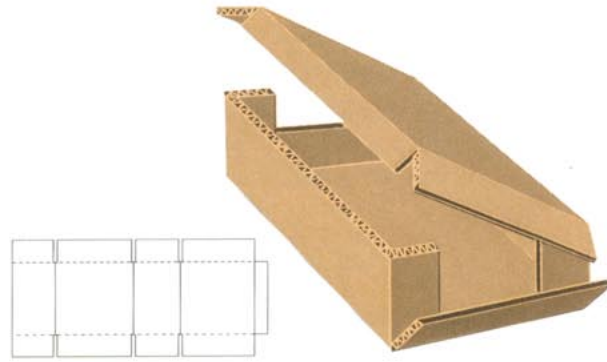


Wrap-Around Blank

The wrap-around blank differs slightly from a five-panel folder. The joint flap is not as deep as the full side panel, and the end flaps do not overlap. In addition, the dimensions are less elongated.

The finished box is essentially an RSC, turned on its side so that the bottom and top are unbroken. The joint, however, is not formed until the final closure.

A wrap-around blank is formed into a box by folding it tightly around a rigid product. The positioning of the product, folding and sealing are performed by automatic equipment.

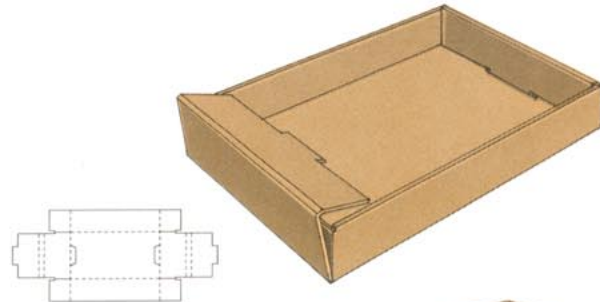


Self-Locking Tray

International Box Code: 0422

Formed from a single piece of board, the design features an unbroken bottom, and several thicknesses in the end panels.

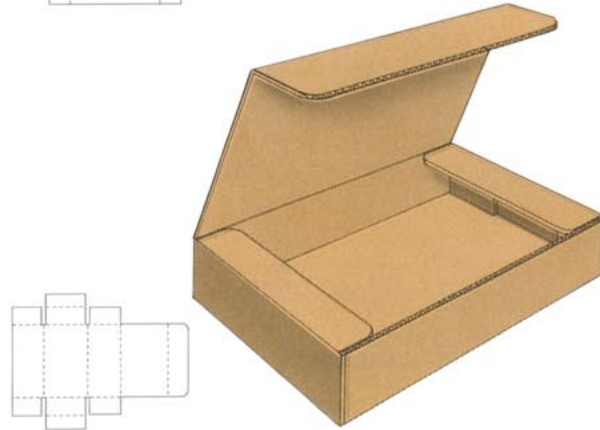
Trays are not shipping containers, but they are frequently used as inner containers for parts, delicate produce, letter mail and other products, or as elements of display stands.



Tuck Folder

International Box Code: 0420

Formed from a single piece of board and set up manually or by machine, the tuck folder can be easily opened and re-closed.



One-Piece Telescope — 1PT

Formed from a single rectangular piece of scored and slotted board, the style combines the features of telescope styles and folders. At least two layers of board on one side and both ends provide stacking strength, and the bottom and top are unbroken.

The box is usually set up on automatic equipment. It is frequently used for the shipment of processed and frozen meats.

